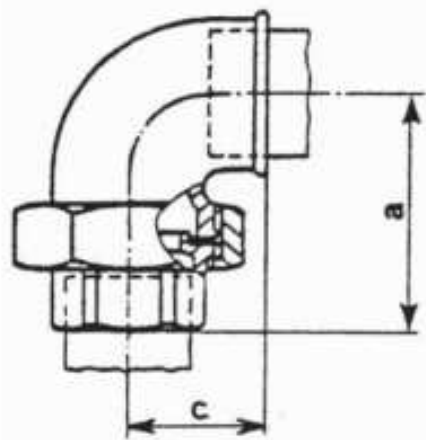


96

Gomiti a 90° F.F.
con bocchettone a sede conica

Unions elbows 90° F.F. with conical seat



Diametri Ø	a mm	c mm	Peso / Weight g
3/8	52	25	200
1/2	58	28	248
3/4	62	33	351
1	72	38	549
1.1/4	82	45	793
1.1/2	90	50	1104
2	100	58	1649
2.1/2	122	70	2800
3	135	78	3989