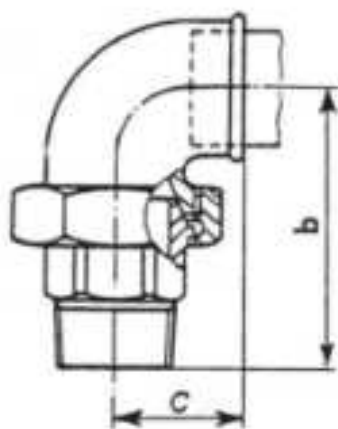


**98**

Gomiti a 90° M.F.  
con bocchettone a sede conica

*Unions elbows 90° M.F. with conical seat*



Diametri $\varnothing$	b mm	c mm	Peso / Weight g
3/8	65	25	212
1/2	76	28	261
3/4	82	33	382
1	94	38	600
1.1/4	107	45	889
1.1/2	115	50	1245
2	128	58	1857
2.1/2	152	70	3260
3	168	78	4650